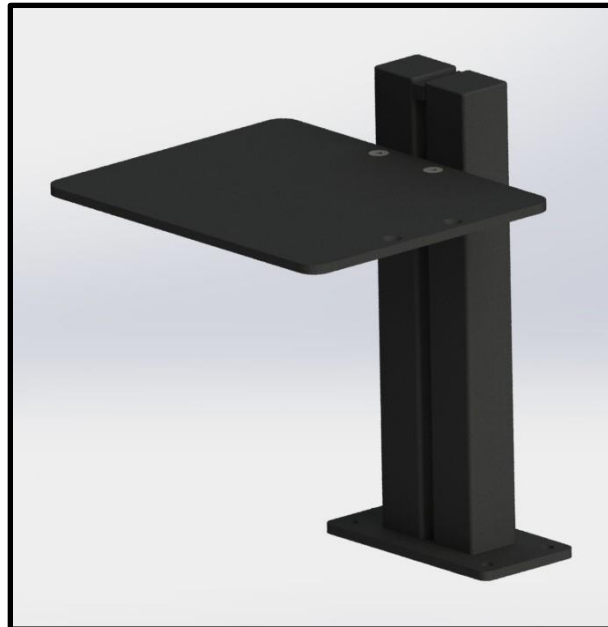


Sound Anchors Bolt On Tabletop Instructions



Sound Anchors
2835 Kirby Cir NE Unit 110
Palm Bay, FL 32905
321-724-1237
Office@Soundanchors.com
www.soundanchors.com

Sound Anchors Bolt on Tabletop (BOTT)Stands

Thank you for choosing Sound Anchors stands for your studio. Sound Anchors Bolt On Desktop Stands (BOTT) are designed for use in the true digital workstation environment, and they take up very little space. The BOTT Stands are ideal for use in both broadcast and post-production studios. The BOTT raises your speakers above the reflective items on your desktop which gives you a cleaner, more detailed and more accurate sound. They offer infinite tilt adjustment and 12, 18 or 24 inches of height adjustment. These Stands make it possible for you to position your loudspeakers safely and accurately.



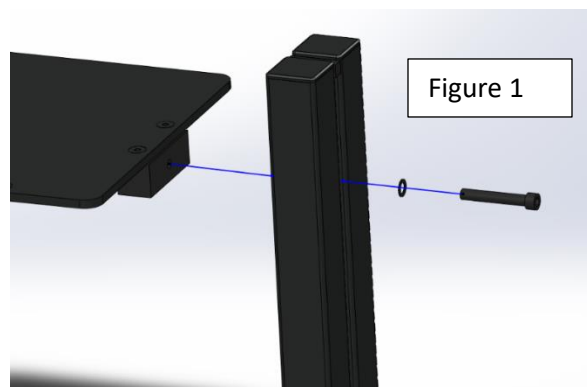
Hardware Inventory:

BOTT:

- 8 ea Bluedots
- 4 ea 1/4-20 x 5/8 Flat Head Screws (installed in block)
- 2 ea 5/16-18 x 2 1/2" Socket Head Screw
- 2ea 5/16 hardened washer
- 1/4 Hex Wrench
- 5/32 Hex Wrench

Assembly

- 1) TOP: The speaker platform should have a mounting block attached to the bottom of it from the factory. Simply align the single mounting hole on the block in the space of the upright portion and fasten with the 5/16 x 2 1/2" Socket Head Screw and 5/16 hardened washer. As shown in figure 1.



- 2) Bottom: The Bolt On Tabletop stand is fitted with a mounting plate welded to the base of the upright. Screws are NOT provided with the stands as we cannot predict the thickness of your mounting surface. Holes will need to be placed in the tabletop to accommodate the stand.
- 3) Position the stands where they need to be on the tabletop or console and add blue dots to the speaker platform in the 4 corners. Adjusting the height of the stand is as simple as loosening the bolt in the back and moving the speaker platform up or down. *(be careful as the weight of the plate itself can cause it to drop if not supported while loosening the adjustment bolt)*. Once the proper position is found, place the speakers on the speaker plates, and enjoy your new stands!

Sound Anchors Bolt On Tabletop Stands

Experience the power of precise positioning with adjustable height and tilt options, allowing you to find that sweet spot for the perfect soundstage. With Sound Anchors Bolt on Desktop Speaker Stands, achieving optimal speaker height and angle has never been easier. Elevate your speakers to ear level and immerse yourself in rich, balanced audio like never before. Thank you again for choosing Sound Anchors Bolt on Desktop speaker stands.

Important Black & Blue Dot Guidelines

Sound Anchors' Black & Blue Dots are made of urethane coated Sorbothane. Sorbothane is unique in that it absorbs motion in all directions making it an ideal isolation material between speakers and stands. Black & Blue Dots do not have adhesive on them. The blue side should be placed on the stand and the black side should be placed under the speaker. However, under the weight of the speaker and over time they will compress and become gummy and possibly discolor or mar the finish on the bottom of the speaker. Under certain conditions they may also adhere to the bottom of your speakers, causing difficulty in removing or repositioning the speaker. The urethane coating has been added to help alleviate this issue.

Care should be used when removing speakers from the stands as to avoid damaging the bottom of the speaker. It is recommended that a thin blade (i.e. putty knife) be slid in between the speaker and the platform to break the adhesion and dislodge the Black & Blue Dot. Black & Blue dots should not be used on speakers with a lacquer finish. These surfaces are highly susceptible to marring from use of the Black & Blue dots.